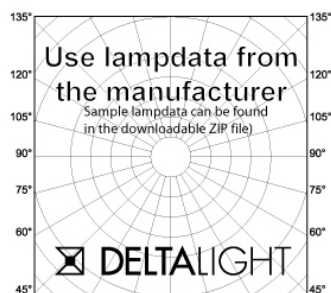
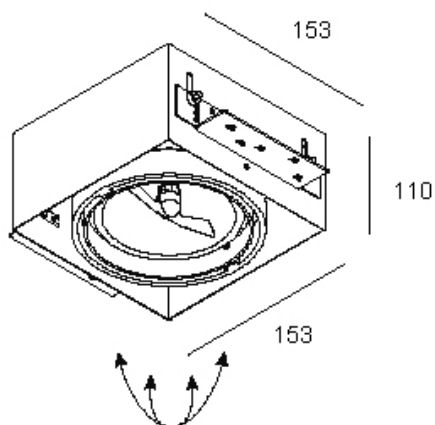


GRID IN TRIMLESS 1 QR

202 61 00 01

© Delta Light



157 x 157 x 120

◇ = A / B / W

ADJUSTABLE 0°- 30°

G53 / 12V / EXCL.TRANSFO

1 x QR-LP111 max.100W

CE 0.7 IP20 850°C 1,0

OPTIONS :

GRID IN TRIMLESS 1 MOUNTING KIT

GRID IN TRIMLESS 1 MOUNTING KIT LARGE

CONCRETE PACK GIT 1

TRANSFO

ACCESSORIES :

CONE 111

CONE / CLIP 111 + FRONTGLASS 111

CONE / CLIP 111 + COLOUR FILTER 111

CONE / CLIP 111 + LENS 111

For detailed installation instructions, please consult the manual.

 DELTALIGHT®

Headquarters Delta Light nv - Muizelstraat 2 - 8560 Wevelgem (Moorsele)
Tel +32 56 435 735 Fax +32 56 435 736 Email info@deltalight.com

GRID IN TRIMLESS 1 QR

202 61 00 01



© Delta Light

 **DELTA**LIGHT®

Headquarters Delta Light nv - Muizelstraat 2 - 8560 Wevelgem (Moorsele)
Tel +32 56 435 735 **Fax** +32 56 435 736 **Email** info@deltalight.com